

J78

Gas Pressure Regulator
Inlet Pressure 350mbar
Nominal Diameter 1/2", 3/4" & 1"



Applications

- Industrial
- Commercial

Brief information

Operation: The J78 range is a compact, accurate and economical regulator. It is suitable for a wide range of commercial and industrial applications, including such OEM equipment as boiler and burner trains. The J78 offers positive lock up, and is available in a number of sizes, with a comprehensive range of regulator springs for different requirements.

Application: The J78 range is suitable for inlet pressures up to 350mbar (5psig). It meets the essential requirements of the European Gas Directive (90/396/EEC). All units are designed for natural, liquified petroleum and manufactured gases and can be installed in horizontal or vertical pipelines. The regulators may be utilised for domestic meter service applications with inlet pressures up to 75mbar (30"wg) complying with British Gas specifications. High efficiency has been obtained by careful design of the internal gasways. Thus ensuring maximum flow with minimum pressure loss.

Control: A comprehensive range of springs is available, as described overleaf. The outlet pressure can be easily and accurately adjusted by turning the spring adjustment unit located under the top cap. The cover and top cap are drilled so that a sealing wire can be easily fitted if required.

Options: The J78 range is available in two variants. The J78R has a plain breather port. The J78RS is fitted with a 1/4" threaded breather port that can be used to ventilate to atmosphere where this additional safety feature is required.

Technical Data:

Maximum inlet pressure:	350mbar (5 psig)	1/2" & 3/4"	reference number SK7805-01
Maximum outlet Pressure:	See table overleaf	1"	reference number SK7806-01

Servicing: The J78 has been designed for ease of access, inspection and servicing of all internal components. A standard soft spares kit is available for all sizes.

Main features

- Sizes 1/2", 3/4" & 1"
- Temperature range -20°C to +70°C
- Threaded connections to BS EN 10226 (ISO 7) or NPT (other threads may be available upon request)
- Fully inlet pressure balanced
- Full lock-up capability
- Internal impulse
- Spring loaded
- Excellent outlet pressure control

DMC 多美時燃氣設備有限公司
DMC GAS EQUIPMENT LIMITED

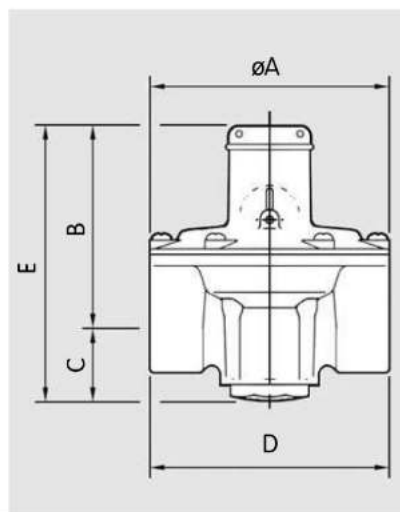
Address: Unit 11, 11/F, Tower One, Ever Gain Plaza
88 Container Port Road, Kwai Chung, NT, Hong Kong
Website: www.dmc-gas.com Email: dmcsaleshk@dmc-gas.com.hk
Tel: +852 2851 2121 Fax: +852 2851 2129



J78: Low Pressure Regulator

Dimensions and Weights

SIZE	A		B		C		D		E		Weight (Kg)	
	R	RS	R	RS	R	RS	R	RS	R	RS	R	RS
½"	100	100	82	90	30	30	100	100	112	120	521g	543g
¾"	100	100	82	90	30	30	100	100	112	120	480g	502g
1"	100	100	82	90	40	40	105	105	122	130	534g	556g



Material Specifications

A summary of the material specification for the J48 is given for reference. All material has been selected to provide maximum durability and reliability in service.

Components	Specification
Body, cover, bottom plug (1"), diaphragm spacer (1").	Aluminium Alloy
Top cap.	Zinc Alloy
Spring holder, valve spacer, diaphragm spacer (¾"), valve, valve disc holder (1"), valve spacer (1").	Acetal Resin
Diaphragm plate, secondary diaphragm clamping plate.	Mild Steel
Main diaphragm, secondary diaphragm, valve seat (¾"), valve disc (1") and "O"ring seals.	Nitrile (Buna)
Springs.	Carbon Steel
Impulse tube, bottom plug (¾").	Brass

Performance:

Detailed performance data is provided on separate technical datasheets.

Quality:

Elster Jeavons is committed to a programme of continuous quality enhancement. All equipment designed and manufactured by the Elster-Instromet group benefits from the group's quality assurance standards which are approved to EN ISO9001:2000.

Loading Springs

All springs are colour coded for ease of identification.

SPRING	Spring Range (mbar)				COLOUR CODE
	J78RS		J78R		
	½" - ¾"	1"	½" - ¾"	1"	
J7805-050	2 - 14	4 - 12	6 - 9	8.3 - 13	Dark Green / Red
J7805-038A	2 - 16	6 - 21	9 - 17	13 - 19	Yellow
J1105C-035A	10 - 20	13 - 26	15 - 23	20 - 24	Black
J1105C-016A	16 - 28	18 - 36	22 - 31	27 - 32	Orange
J7805-042A	22 - 40	28 - 48	31 - 42	37 - 46	Brown

Contacts

Address: Unit 11, 11/F, Tower One, Ever Gain Plaza, 88 Container Port Road, Kwai Chung, NT, Hong Kong
 Website: www.dmc-gas.com Email: dmcsaleshk@dmc-gas.com.hk
 Tel: +852 2851 2121 Fax: +852 2851 2129