

Address: Unit 11, 11/F, Tower One, Ever Gain Plaza, 88 Container Port Road, Kwai Chung, NT, Hong Kong
 Website: www.dmc-gas.com Email: dmcsaleshk@dmc-gas.com.hk
 Tel: +852 2851 2121 Fax: +852 2851 2129

AMC Quality System
 QMI is Accredited by:



ISO 9001 Certified
 Certificate #006697



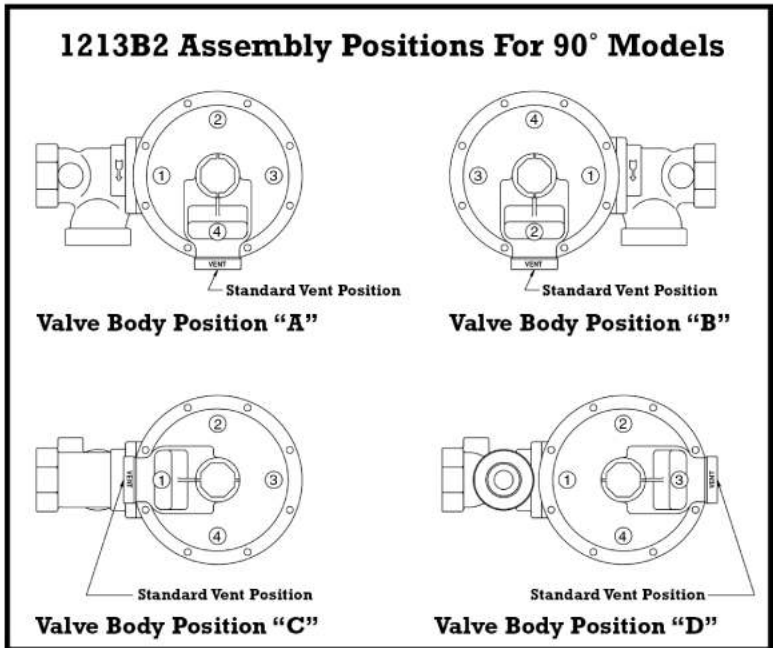
Dutch Council
 for Accreditation



A Compact, Lightweight regulator designed for residential natural gas applications and for fast, easy installation with interchangeable orifices and springs that provide a wide range of outlet pressures and flow rates. Valve body configurations in 90° and 180° are available with 1/2", 3/4" and 1" NPT or BSP-TR connection sizes.

The 1213B2 regulator features a full capacity internal relief valve with large passages to assure the fast release of gas. The standard relief spring setting is 8.0" W.C. above the normal 7" W.C. outlet pressure setpoint.

All models conform to ANSI Code B109.4-1998 and CGA Service-type Regulator Specification CAN/CGA-6.18-M95.



Data Sheet

1213B2

Regulator

Series 1213B2 Regulator Capacity Performance

Capacity 3/4" Outlet 1213B2 Regulator Set Point 7.0" W.C. @ 50 SCFH

SCFH 0.60 specific gravity gas @ 60° F & 14.7 PSIA. Pressure spring 70017P084. Outlet pressure variance not to exceed +2" -1" W.C. from set point, horizontal position.

Inlet (PSIG)	Orifice Size			
	1/8	3/16	1/4	5/16
5	200	350	650	700
10	300	600	950	1100
15	325	800	1100	1400
25	475	1100	1400	1800
35	600	1400	2200	2500
50	700	1800	2200	
60	700	2100	2200	

For optimum performance, maximum inlet pressure should not exceed maximum capacity rating for any given orifice size. The outlet pressure may vary as much as 0.5W.C. if the diaphragm is in the vertical position.

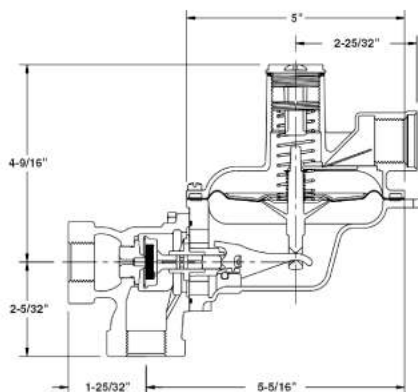
Capacity 1" Outlet 1213B2 Regulator Set Point 7.0" W.C. @ 50 SCFH

SCFH 0.60 specific gravity gas @ 60° F & 14.7 PSIA. Pressure spring 70017P084. Outlet pressure variance not to exceed +2" -1" W.C. from set point, horizontal position.

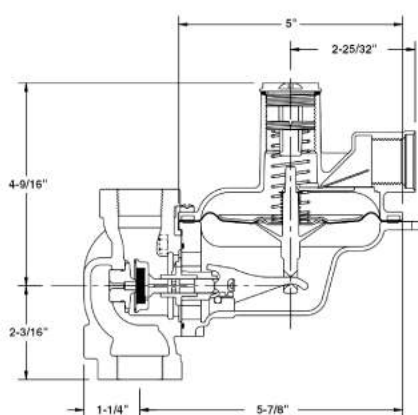
Inlet (PSIG)	Orifice Size			
	1/8	3/16	1/4	5/16
5	200	350	650	750
10	300	600	1000	1200
15	350	800	1400	1600
25	475	1100	2000	2500
35	600	1400	2500	2500
50	700	1800	2500	2500
60	800	2100	2500	2500

For optimum performance, maximum inlet pressure should not exceed maximum capacity rating for any given orifice size. The outlet pressure may vary as much as 0.5W.C. if the diaphragm is in the vertical position.

1213B2-90° Dimensions



1213B2-180° Dimensions



Pressure Springs

Outlet Pressure	Color Code	Part Number
		1213B2
3.5" to 7" W.C.	Light Blue	70017P083
5" to 9" W.C.	Lavender	70017P084
6" to 15" W.C.	Light Gray	70017P088
18" to 2 PSIG	Light Green	70017P085
2 to 4 PSIG	Pink	70017P086
4 to 5 PSIG	Turquoise	70017P087

Order Information:

Model Number: _____

Kind and specific gravity of gas: _____

Inlet pressure, PSI: _____

Outlet pressure, inches W.C. (or PSIG): _____

Flow, scfh: _____

Orifice Size: _____

Size of inlet and outlet: _____

Contact American Meter with any questions or orders at the address and phone number below.

Due to continuous development the information in this document is subject to change.

DMC 多美時燃氣設備有限公司
DMC GAS EQUIPMENT LIMITED

Shipping Weight –

28 lbs/carton of eight regulators

Reference Materials

Sales Bulletin SB-8506

Operating Instructions Manual IM-8705

Repair Parts RPL-8801

Address: Unit 11, 11/F, Tower One, Ever Gain Plaza
88 Container Port Road, Kwai Chung, NT, Hong Kong

Website: www.dmc-gas.com

Email: dmcsaleshk@dmc-gas.com.hk

Tel: +852 2851 2121

Fax: +852 2851 2129