



**AMERICAN
METER COMPANY**
Measurement Engineers Since 1836

DMC 多美時燃氣設備有限公司
DMC GAS EQUIPMENT LIMITED

Address: Unit 11, 11/F, Tower One, Ever Gain Plaza
88 Container Port Road, Kwai Chung, NT, Hong Kong
Website: www.dmc-gas.com Email: dmcsaleshk@dmc-gas.com.hk
Tel: +852 2851 2121 Fax: +852 2851 2129

AMC Quality System

QMI is Accredited by:



ISO 9001 Certified
Certificate #006697



Dutch Council
for Accreditation



more compact • higher capacity

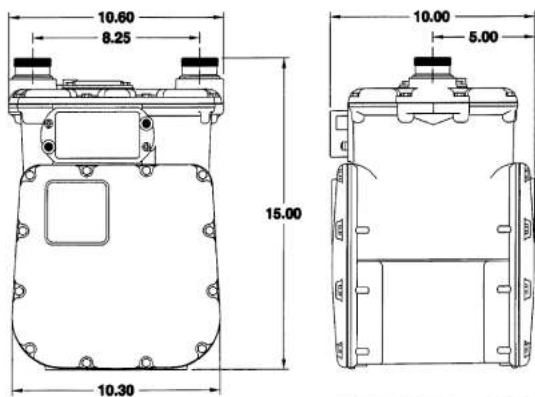
25 PSI MAOP and 1320 cfh at 2-inch w.c. differential

AC-630



AC-630

- Convoluted diaphragms
- Unique valve design
- Smaller meter profile
- Superior corrosion resistance
- Regular or TC tangent
- Automatic meter reader capability
- Permanent lube bearings
- 20 LT, 30 LT, 45 LT and #3-4 Sprague connection sizes
- Full warranty
- Pointer or odometer index



WEIGHT = 21 lbs.

Reference Materials

- Installation Instructions AIM-3715
- Operation/Maintenance
- Manual & Video 52722P002
- Repair Parts List RPL-3850

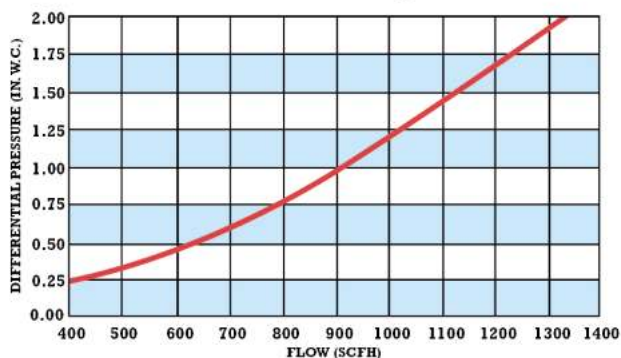
SAVE MONEY — on installation and maintenance with the AC-630. Long-term performance is proven with 40 years of craftsmanship that have gone into its development. **Plus**, just one serviceperson is needed to install the 21 lb. AC-630, reducing your costs and lowering the possibility for injury.

Rated Gas Capacity For 0.60 S.G. Gas

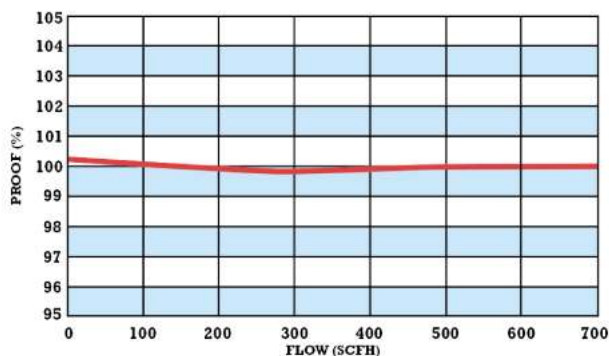
Inlet Pressure PSIG	Inches W.C. Differential	Capacity SCFH
.25	1/2"	630 ^{1,2}
.25	2"	1320
1	2"	1340
2	2"	1390
5	2"	1515
10	2"	1710
15	2"	1890
20	2"	2010
25	2"	2160

1 - Propane - 397 cfh
2 - Butane - 347 cfh

AC-630 CAPACITY CURVE @ .25 PSIG inlet



AC-630 PROOF CURVE



Order Information:

Model No.: _____
 Regular or Temperature Compensated: _____
 U.S. or Metric: _____
 Size of Connection: _____
 Type of Index: _____
 Proof Preference: 100 +/- 1% _____
 Standard Color or ASA #49 Grey: _____

Address: Unit 11, 11/F, Tower One, Ever Gain Plaza, 88 Container Port Road, Kwai Chung, NT, Hong Kong
 Tel: +852 2851 2121 Fax: +852 2851 2129
 Website: www.dmc-gas.com
 Email: dmcsaleshk@dmc-gas.com.hk