



**AMERICAN
METER COMPANY**
Measurement Engineers Since 1836

DMC 多美時燃氣設備有限公司
DMC GAS EQUIPMENT LIMITED

Address: Unit 11, 11/F, Tower One, Ever Gain Plaza
88 Container Port Road, Kwai Chung, NT, Hong Kong
Website: www.dmc-gas.com Email: dmcsaleshk@dmc-gas.com.hk
Tel: +852 2851 2121 Fax: +852 2851 2129

AMC Quality System
QMI is Accredited by:



ISO 9001 Certified
Certificate #006697



Dutch Council
for Accreditation



more capacity • residential/commercial service

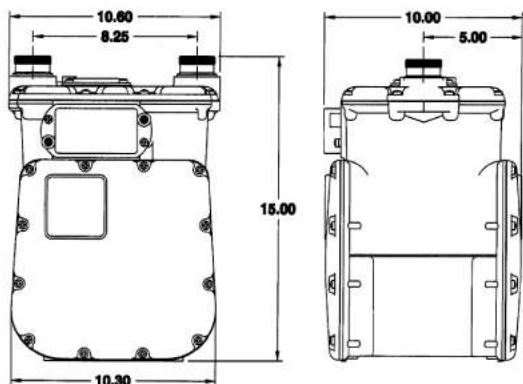
25 PSI MAOP and 425 cfh at 1/2-inch w.c. differential

AL-425



AL-425

- One-piece, die-cast aluminum case
- Oil impregnated, self-lubricating bearings
- Convulated duramic diaphragms
- Rigid, reinforced flag rods
- Graphite-filled, phenolic valves
- Long-life grommet seals
- Automatic meter reader compatibility
- Temperature compensation available from -30°F to 140°F
- 10 or 25 PSI MAOP
- 20 LT, 30 LT, 45 LT and #3-4 Sprague connection sizes
- Full warranty
- Pointer or odometer index



WEIGHT = 21 lbs.

Reference Materials

- Installation Instructions AIM-3715
- Operation/Maintenance
- Manual & Video 52722P002
- Repair Parts List RPL-3806

APPLICATIONS —

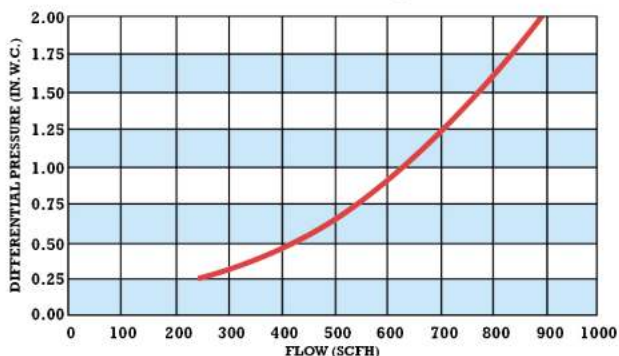
This meter is ideally suited for larger residential or small commercial/industrial installations. Its 25 PSIG MAOP case-rating affords the opportunity to utilize pressure factor measurement. Pressure equivalent indexes are available.

Rated Gas Capacity For 0.60 S.G. Gas

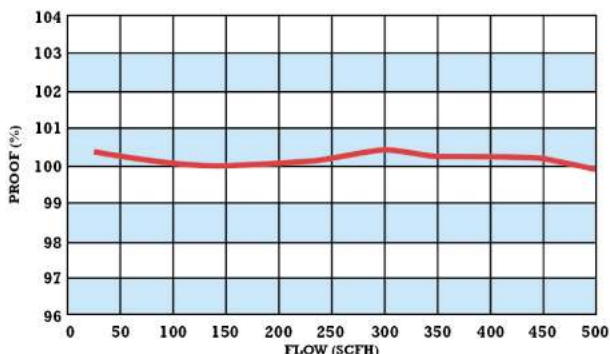
Inlet Pressure PSIG	Inches W.C. Differential	Capacity SCFH
.25	1/2"	425 ^{1,2}
.25	2"	898
1	2"	920
2	2"	955
5	2"	1038
10	2"	1154
15	2"	1269
20	2"	1367
25	2"	1462

1 - Propane - 268 cfh
2 - Butane - 234 cfh

AL-425 CAPACITY CURVE @ .25 PSIG inlet



AL-425 PROOF CURVE



Order Information:

Model No.: _____
 Regular or Temperature Compensated: _____
 U.S. or Metric: _____
 Size of Connection: _____
 Type of Index: _____
 Proof Preference: 100 +/- 1% _____
 Standard Color or ASA #49 Grey: _____

Address: Unit 11, 11/F, Tower One, Ever Gain Plaza
 88 Container Port Road, Kwai Chung, NT, Hong Kong
 Tel: +852 2851 2121 Fax: +852 2851 2129
 Website: www.dmc-gas.com
 Email: dmcsaleshk@dmc-gas.com.hk