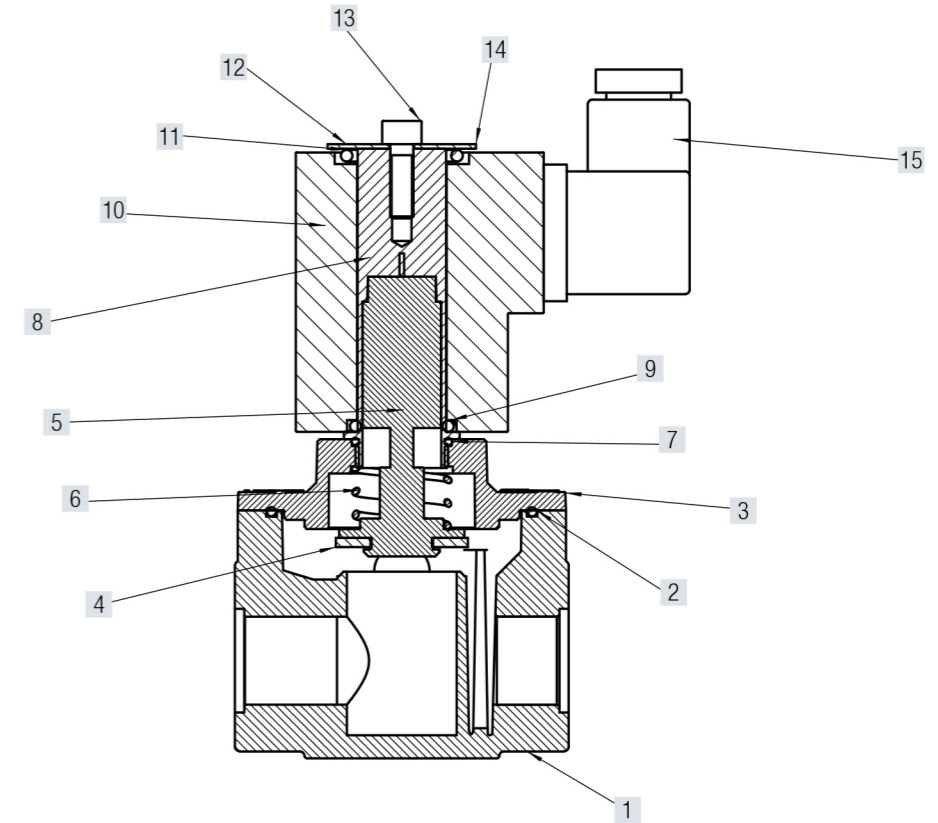


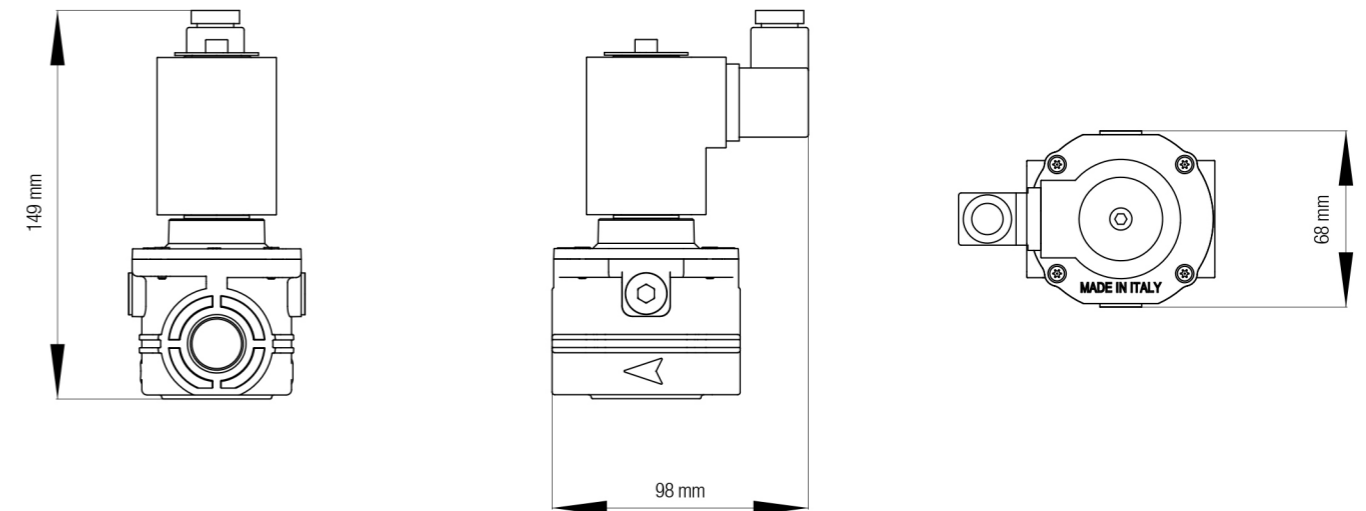
AUTOMATIC GAS VALVES Fast Opening / Fast Closing
1/2", 3/4" and 1" – Pmax 360 mbar



Code	Description	Dimension	Pmax
AV015FO	Gas valve fast opening	1/2"	360 mbar
AV020FO	Gas valve fast opening	3/4"	360 mbar
AV025FO	Gas valve fast opening	1"	360 mbar
AVD25FO	Gas valve fast opening	DN25	360 mbar
AV015FO-FR	Gas valve fast opening Flow regulation	1/2"	360 mbar
AV020FO-FR	Gas valve fast opening Flow regulation	3/4"	360 mbar
AV025FO-FR	Gas valve fast opening Flow regulation	1"	360 mbar
AVD25FO-FR	Gas valve fast opening Flow regulation	DN25	360 mbar
CPI-1	Control position indicator		

TECHNICAL FEATURES	
Pmax	360 mbar
Inlet connection - outlet	Thread gas 1/2" 3/4" and 1" - ISO 228 DN25 - Sliding Aluminium flange PN10
Opening time	<1 second
Closing time	<1 second
Max number of operations	20 per minute
Incorporated AISI 303 steel mesh filter on request	
Supply voltage	230V (-15%+10%) 50-60Hz 110V (-15%+10%) 50-60Hz 24Vdc (-15%+10%) 50-60Hz
Power	15 VA Coils to class F copper wire class H
Use	Non – aggressive gases – Family 1 – 2 – 3 and air
Test point	3 connections Screw 1/4" NPT
Working Temperature	- 20 °C – 60 °C
Approval	EN161
Protection degree	IP65
Materials:	
Complete Body	Die – Cast Aluminium Gd – AISI12Cu - EN AB 46100

- | | | | |
|---|---------|----|-----------|
| 1 | Body | 9 | O-Ring |
| 2 | O-Ring | 10 | Coil |
| 3 | Cover | 11 | O-Ring |
| 4 | Gasket | 12 | Washer |
| 5 | Plunger | 13 | Screw |
| 6 | Spring | 14 | Washer |
| 7 | O-Ring | 15 | Connector |
| 8 | Pilot | | |



Dimension	1/2"	3/4"	1"
WEIGHT (kgs)	0,8	0,8	0,8