

# Extended Bonnet Cryogenic Globe Valves

## BK and BKA Series Valves

### Application

The BK and BKA Series valves are designed exclusively for the handling of cryogenic liquids on bulk storage tanks, transports, and pipelines. These globe valves provide positive shutoff and offer a long, low-maintenance service life. The valves are available with a variety of inlet and outlet connections and stem lengths. Certain BK valves are offered with brazed-in Sch 5 Stainless Steel Pipe Stubs.

### Features

- CTFE seat disc and swivel seat design offer positive shutoff, minimal seat wear, and a long service life.
- Unique spring-loaded upper packing provides extended service life without constant packing adjustment
- One piece slip-on seat assembly for easy replacement.
- Each valve is pressure tested to be leak free.
- Each valve is cleaned and packaged for oxygen service per CGA G-4.1.
- Maximum working pressure is 600 psig CWP.
- Working temperature range is -320°F to +165°F.
- 100% Factory Tested



BK 8408T



BK 9412S

### Materials

Body .....	Bronze
Body and Bonnet .....	Brass
Seat Disc .....	CTFE
Seat Retainer Assembly .....	Brass
Stem and Bonnet Extension Tube .....	Stainless Steel
Packing Spring, Washer .....	Stainless Steel
Jam Ring and Pressure Seal Rings .....	PTFE
Upper Bonnet, Packing Gland .....	Brass
Handwheel .....	Aluminum for up to 1" valve size, Coated Malleable Iron for larger size

### Bonnet Design

Union Bonnet for 1/2", 3/4", 1" valve sizes and on both the 1" model BKA8408S and 1 1/2" model BKA8412S angle valves. Bolted Bonnet design is used on the BK9410, BK9412, and BK9416 models.



BKA9408AA



BKA8412S

**DMC** 多美時燃氣設備有限公司  
DMC GAS EQUIPMENT LIMITED

Address: Unit 11, 11/F, Tower One, Ever Gain Plaza, 88 Container Port Road, Kwai Chung, NT, Hong Kong

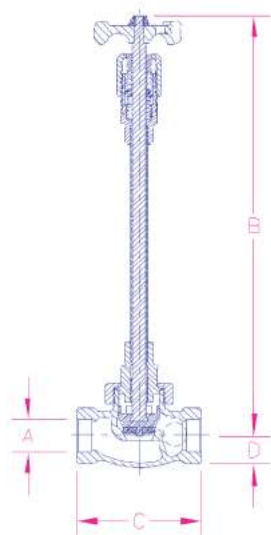
Website: [www.dmc-gas.com](http://www.dmc-gas.com) Email: [dmcsaleshk@dmc-gas.com.hk](mailto:dmcsaleshk@dmc-gas.com.hk)

Tel: +852 2851 2121

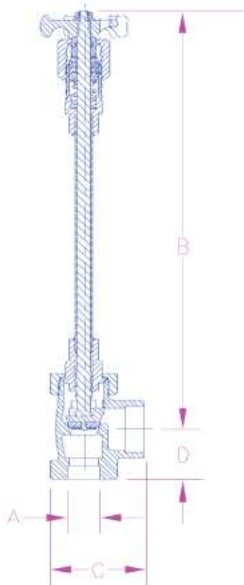
Fax: +852 2851 2129

# Extended Bonnet Cryogenic Globe Valves

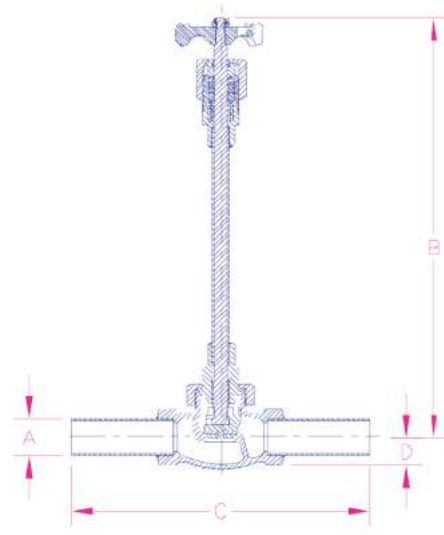
## BK and BKA Series Valves



Straight Globe Valve



Angle Globe Valve



Straight Globe Valve with Pipe Stubs

### Ordering Information

Part Number	Body Style	Inlet / Outlet Connections A	Max Open B (Approx )	Length C	D	Cv Factor
BK8404S	Straight	.631"- .634"	9 5/32"	3 11/16"	1"	4.7
BK8404T		1/2" F.NPT				
BK8404ST		.631"- .634" x 1/2" F.NPT	14 1/2"	3 11/16"	1"	4.7
BK9404S		.631"- .634"				
BK9404T		1/2" F.NPT				
BK9404AA		1/2" Sch5 Pipe	9 5/32"	3 11/16"	1"	6.7
BK9404PT-F30		1/2" Sch5 Pipe x 1/2" F.NPT				
BK9404ST		.631"- .634" x 1/2" F.NPT				
BK8406S		.881"- .884"	14 1/2"	3 11/16"	1"	6.7
BK8406T		3/4" F.NPT				
BK9406S		.881"- .884"	9 1/8"	4 5/16"	1 1/8"	11.2
BK9406T		3/4" F.NPT				
BK8408S		1.131"- 1.134"	16 7/16"	5 13/16"	1 1/2"	25.1
BK8408T		1" F.NPT				
BK9408S		1.131"- 1.134"	16"	6"	1 5/8"	41
BK9408T		1" F.NPT				
BK9408AA		1" Sch5 Pipe	9 5/11"	3 1/4"	1 3/4"	14.5
BK9408PT-F30		1" Sch5 Pipe x 1" F.NPT				
BK9410S*		1.378"- 1.380"	13"	4 1/4"		30.0
BK9412S*		1.631"- 1.634"				
BK9412T*	1 1/2" F.NPT	1.131" - 1.134" x 1.631" - 1.634"	14 5/8"	1 3/4"	14.5	
BK9412AA	1 1/2" Sch5 Pipe					
BK9412PT-F30	1 1/2" Sch5 Pipe x 1 1/2" F.NPT	1.631"- 1.634"	13"		30.0	
BK9416S*	2.131" - 2.134"					
BK9416T*	2" F.NPT	1.131" - 1.134" x 1.631" - 1.634"	14 5/8"	1 3/4"	14.5	
BK9416PT-F30	2" Sch5 Pipe x 2" F.NPT					
BKA8408S	Angle	1.131" - 1.134" x 1.631" - 1.634"	9 5/11"	3 1/4"	1 3/4"	14.5
BKA9408S			14 5/8"			
BKA8412S		1.631"- 1.634"	13"	4 1/4"		30.0

\* Valves with bolted bonnet design.

**DMC** 多美時燃氣設備有限公司  
**DMC GAS EQUIPMENT LIMITED**

Address: Unit 11, 11/F, Tower One, Ever Gain Plaza, 88 Container Port Road, Kwai Chung, NT, Hong Kong

Website: [www.dmc-gas.com](http://www.dmc-gas.com) Email: [dmcsaleshk@dmc-gas.com.hk](mailto:dmcsaleshk@dmc-gas.com.hk)

Tel: +852 2851 2121

Fax: +852 2851 2129